

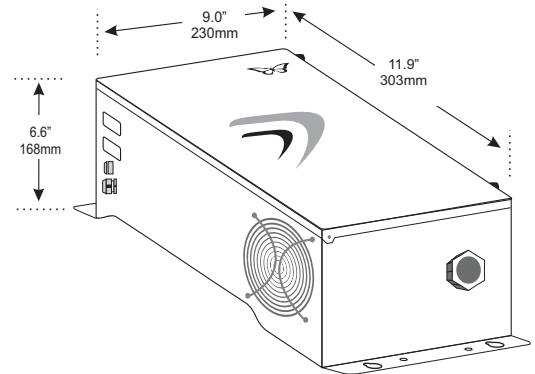
# 150w HiD Fiber Optic Luminaire™

Fiber Optic Luminaire  
Masonlite Cold cathode

## Specification & Submission Sheet



### Dimensions



**Description :** 150W HiD Fiber Optic Luminaire™ (dry location) for end-lit and side-lit application. Each luminaire comes with an optical port and Fiber Optic Lamp .

\* Note : add an additional 3" (75mm) to length for optical port coupler

**Application :** The 150W luminaire can be used in any indoor application for safe and brilliant illumination. Some applications would include museum showcase & display lights, stary lights in ceiling, floor & water features, illuminated curtains and chandeliers, fountains, swimming pool perimeter, spot lighting, etc. For outdoor applications OD2 Hood is required.

**Construction :** Steel & aluminum with epoxy powder coating

**Dimensions :** 165mm Ht X 303mm L X 230mm W

**Weight :** 7.0 kgs

**Power Consumption :** 185 watts max. (240V~50Hz)

**Safety Features :** 5AT fuse, Thermal switch (auto cut off and reset)

**Lamp :** 150watts HQi-T metal halide,  
Color Rendering index : 85  
Color Temperature : 4200K SnowWhite  
(optional 3000K WarmWhite Lamp)

**Ventilation :** forced 57 cu. ft/min air cooling

**Optical port :** coupler (3 sizes) and ferule (5-7 sizes)

**Operating Temperature :** -10°C to 40°C

**Colors :** A choice of 1 or 4 or 8 dichroic colors.  
SnowWhite 4200K, Bikini Yellow, Red Rose, Brilliant Orange,  
Horizon Blue, Midnight Blue, Forest Green, Purple, Deep Pink,  
Aquamarine, WarmWhite 3000K and SuperWhite 5200K.  
(Specify colors and sequence when ordering).

**Color Disc motor :** 1.0 r.p.m. (3.0 r.p.m. optional)

**Mounting :** Horizontal or vertical with optical port downwards.  
(clearance of 450mm on each side)

**Warranty :** Eighteen (18) months, excluding lamp

### Benefits

- ▶ Built-in ellipsoidal dichroic reflector specially designed for fiber optics. Economical replacement of lamps.
- ▶ Long Lamp Life - 9,000 hours average
- ▶ Maximum strands for end lighting - 1200 fibers (of 0.75mm dia. PMMA)
- ▶ Warm White beam 3000K (optional)
- ▶ Crystal clear fused termination for maximum optical transmission and durability (adhesive free)
- ▶ UV & IR Control with added diffuser for even light
- ▶ Color changing effects : single color or up to 8 dichroic colors (standard or custom at no extra cost)
- ▶ Sparkling animation : 1 segment sparkling (standard), or FULL (optional)
- ▶ 'Chunks of Colors' disc with FULL sparkling (optional)
- ▶ Optional Features : Remote Control / Color Synchronizer Module / DMX Color Control
- ▶ OutDoor wheaterproof Hood (IP 43 rated) for wet areas

### Ordering Guide

Model	Color Changing Disc	Sparkling Animation	Optional Features	Optical Port Size
150W HiD 4200K*	NC No Colors	1SG 1 segment	SD Standard	T 13 13mm Ferule
150W HiD 3000K**	1C Single Color	FULL Full Sparkling	RC Remote Control (with 3 transmitters)	T 16 16mm Ferule
* standard SnowWhite Lamp ** WarmWhite Lamp	8SC 8 Standard Colors (SnowWhite 4200K included)	1SG 1segment with +COC Chunks of Colors	DMX DMX Color Control	T 19 19mm Ferule
	8CC 8 Custom Colors (Indicate colors & sequence)	FULL 1segment with +COC Chunks of Colors (Indicate colors if custom)	CS Color Synchronizer (for synchronizing multiple Luminaires color disc)	T 23 23mm Ferule T 29 29mm Ferule

order e.g. for standard 150W HiD 4200K c/w 7+1 color changing, 1 segment sparkling effect, standard feature & T16 port size .....150W-4200K-8SC-1SG-SD-T16

TiME Luminaries sdn bhd

Tel : +603-9282 9096 Fax : +603-9282 5875

http://www.neon-lighting.com http://www.fiberlight.com.my email : sales@neon-lighting.com