

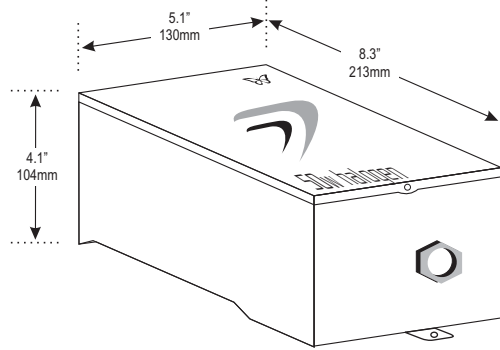
50w Halogen Fiber Optic Luminaire™

Fiber Optic Luminaire
Masonlite Cold cathode

Specification & Submission Sheet



Dimensions



* Note : add an additional 2" (55mm) to length for optical port coupler

Description : 50W Halogen Fiber Optic Luminaire™ (dry location) for end-lit application. Each luminaire comes with an optical port and Fiber Optic Lamp .

Application : The 50W luminaire can be used in any indoor application for safe and brilliant illumination. Some applications would include starry lights in ceiling, floor & water features, step lights, decorative signs, fountains and spot lighting, glass block illumination, task lighting, etc.

Construction : Steel & aluminum with epoxy powder coating

Dimensions : 104mm Ht X 213mm L X 130mm W

Weight : 2.5 kgs

Power Consumption : 70 watts max. (240V~50Hz)

Safety Features : 1AT fuse, Thermal switch (auto cut off and reset)

Lamp : 50watts, MR16 Halogen with Optic-reflector,
Color Rendering index : 95
Color Temperature : 3100K WarmWhite
(optional 4200K beam with dichroic Color Corrector)

Ventilation : forced 23 cu. ft/min air cooling

Optical port : coupler (1size) and ferule (2 sizes)

Operating Temperature : -10°C to 40°C

Colors : A choice of 1 or 5 colors.
WarmWhite 3100K, Bikini Yellow, Red Rose, Brilliant Orange,
Horizon Blue, Midnight Blue, Forest Green, Purple,
Deep Pink, Aquamarine and SnowWhite 4200K.
(Specify colors and sequence when ordering).

Color Disc motor : 1.0 r.p.m. (3.0 r.p.m. optional)

Mounting : Horizontal or vertical with optical port downwards.
(clearance of 250mm on each side)

Warranty : Eighteen (18) months, excluding lamp

Benefits

- ▶ High luminous lamp with an integrated dichroic reflector specially designed for fiber optics.
- ▶ Long Lamp Life - 4,000 hours average
- ▶ Maximum strands for end lighting - 500 fibers (of 0.75mm dia. PMMA)
- ▶ Snow White beam 4200K (optional)
- ▶ Crystal clear fused termination for maximum optical transmission and durability (adhesive free)
- ▶ UV & IR Control with added diffuser for even light
- ▶ Color changing effects : single color or up to 5 colors (standard or custom at no extra cost)
- ▶ Sparkling animation : 1 segment sparkling (standard), or FULL (optional)
- ▶ 'Chunks of Colors' disc with FULL sparkling (optional)
- ▶ Do-It-Yourself kits available.
A choice of multiple diameters PMMA fiber optic cables complete with crystals for simple installation .
- ▶ Optional Features - Shooting Stars effects.

Ordering Guide

Model	Color Changing Disc	Sparkling Animation	Optional Features	Optical Port Size
50W Halogen 3100K*	NC No Colors	1SG 1 segment	SD Standard	T 16 16mm Ferule
50W Halogen 4200K**	1C Single Color	FULL Full Sparkling	SST Shooting Stars (order code 50W-4200K-SST)	
* standard WarmWarm beam ** SnowWhite beam	5SC 4+1 Standard Colors (White 3100K included)	1SG 1segment with +COC Chunks of Colors		
	5CC 5 Custom Colors (Indicate colors & sequence)	FULL 1segment with +COC Chunks of Colors (Indicate colors if custom)		

order e.g. for standard 50W Halogen 3100K c/w 4+1 color changing, 1 segment sparkling effect, standard feature & T16 port size50W-3100K-5SC-1SG-SD-T16

TiME Luminaries sdn bhd

Tel : +603-9282 9096 Fax : +603-9282 5875

http://www.neon-lighting.com http://www.fiberlight.com.my email : sales@neon-lighting.com