

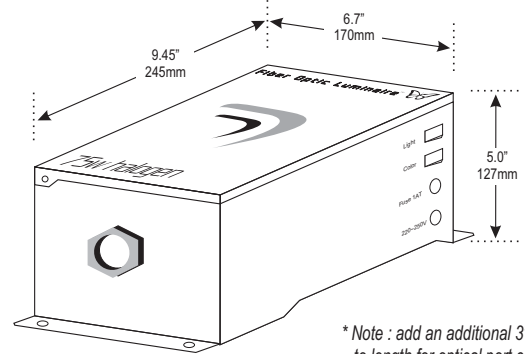
75w Halogen Fiber Optic Luminaire™

Fiber Optic Luminaire
Masonlite Cold cathode

Specification & Submission Sheet



Dimensions



* Note : add an additional 3" (75mm) to length for optical port coupler

Description : 75W Halogen Fiber Optic Luminaire™ (dry location) for end-lit and side-lit application. Each luminaire comes with an optical port and Fiber Optic Lamp .

Application : The 75W luminaire can be used in any indoor application for safe and brilliant illumination. Some applications would include museum showcase & display lights, linear light markers, fountains, spot lighting, starry lights in ceiling, floor & water features, step lights & glass block illumination, etc. For outdoor applications OD1 Hood is required.

Construction : Steel & aluminum with epoxy powder coating

Dimensions : 127mm Ht X 245mm L X 170mm W

Weight : 3.5 kgs

Power Consumption : 90 watts max. (240V~50Hz)

Safety Features : 1AT fuse, Thermal switch (auto cut off and reset)

Lamp : 75watts, MR16 Halogen with Optic-reflector,
Color Rendering index : 95
Color Temperature : 3100K WarmWhite
(optional 4200K beam with dichroic Color Corrector)

Ventilation : forced 23 cu. ft/min air cooling

Optical port : coupler (3 sizes) and ferule (5-7 sizes)

Operating Temperature : -10°C to 40°C

Colors : A choice of 1 or 3 or 6 dichroic colors.
WarmWhite 3100K, Bikini Yellow, Red Rose, Brilliant Orange,
Horizon Blue, Midnight Blue, Forest Green, Purple,
Deep Pink, Aquamarine and SnowWhite 4200K.
(Specify colors and sequence when ordering).

Color Disc motor : 1.0 r.p.m. (3.0 r.p.m. optional)

Mounting : Horizontal or vertical with optical port downwards.
(clearance of 250mm on each side)

Warranty : Eighteen (18) months, excluding lamp

Benefits

- ▶ High luminous lamp with an integrated dichroic reflector specially designed for fiber optics.
- ▶ Long Lamp Life - 4,000 hours average
- ▶ Maximum strands for end lighting - 1200 fibers (of 0.75mm dia. PMMA)
- ▶ Snow White beam 4200K (optional)
- ▶ Crystal clear fused termination for maximum optical transmission and durability (adhesive free)
- ▶ UV & IR Control with added diffuser for even light
- ▶ Color changing effects : single color or up to 6 dichroic colors (standard or custom at no extra cost)
- ▶ Sparkling animation : 1 segment sparkling (standard), or FULL (optional)
- ▶ 'Chunks of Colors' disc with FULL sparkling (optional)
- ▶ Optional Features : Remote Control / Color Synchronizer Module / DMX Color Control
- ▶ OutDoor wheateproof Hood (IP 43 rated) for wet areas

Ordering Guide

Model	Color Changing Disc	Sparkling Animation	Optional Features	Optical Port Size
75W Halogen 3100K*	NC No Colors	1SG 1 segment	SD Standard	T 13 13mm Ferule
75W Halogen 4200K**	1C Single Color	FULL Full Sparkling	RC Remote Control (with 3 transmitters)	T 16 16mm Ferule
* standard WarmWarm beam ** SnowWhite beam	6SC 6 Standard Colors (White 3100K included)	1SG 1segment with +COC Chunks of Colors	DMX DMX Color Control	T 19 19mm Ferule
	6CC 6 Custom Colors (Indicate colors & sequence)	FULL 1segment with +COC Chunks of Colors (Indicate colors if custom)	CS Color Synchronizer (for synchronizing multiple Luminaires color disc)	T 23 23mm Ferule T 29 29mm Ferule

order e.g. for standard 75W Halogen 3100K c/w 5+1 color changing, 1 segment sparkling effect, standard feature & T16 port size75W-3100K-6SC-1SG-SD-T16

TiME Luminaries sdn bhd

Tel : +603-9282 9096 Fax : +603-9282 5875

http://www.neon-lighting.com http://www.fiberlight.com.my email : sales@neon-lighting.com