

75w halogen *indoor unit*
 [Superior Fiber Optic Technology]

Welcome to the exciting world of fiber optic illumination !

I n s i d e

Introduction

- Package .. 2
- Features .. 2
- Safety Precautions .. 2

S E T U P

- Power Source .. 3
- General Description .. 3
- Mounting the Luminaire .. 3
- Preparing the fiber optic cable .. 4

Basic Maintenance

- Replacing lamp & fuse .. 5
- Cleaning .. 5

Troubleshooting .. 6

- Limited warranty .. 6

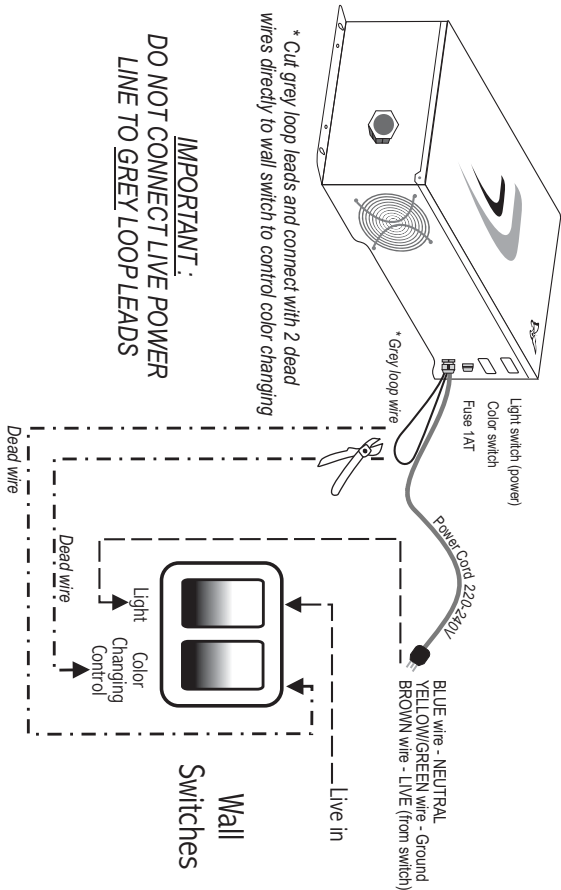
Luminaire Specification .. 7



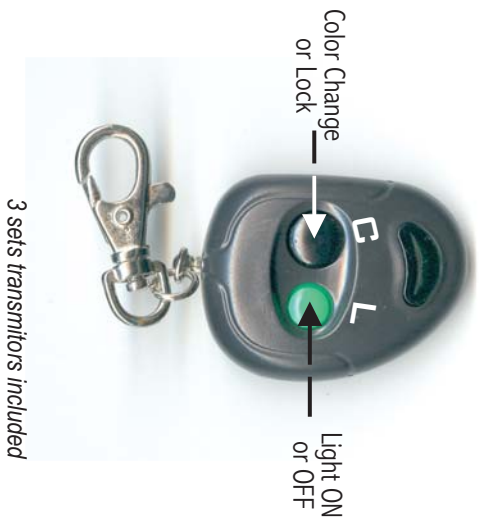
Operation Manual

Important : Read this manual before using luminaire.

WALL Switch Color Changing control



RF REMOTE Color Changing control (Optional)



Stand Alone Color Synchronizing (optional)

For color synchronizing operation, luminaires (light sources) are fitted with Synch. Module and they must be power up by a single switching control. When powered up all color disc will mobilize to "Home Position" and hold to allow synchronizing. After 80 seconds the color discs will begin its normal operation. Single switching to power all luminaires required. No inter-connecting leads required between luminaires.



Package

Each package includes :

- 1 unit 75w Halogen Luminaire with lamp & power cord
- 1 set optical port
- 1 copy of operation manual

Features

Superior technology specially designed for fiber optics

Long-life tungsten halogen lamp

UV & IR Control for safe operation

Versatile optical port to hold PMMA and solid core fiber optic cables

Internal thermal cut-out switch (self resetting)

Safety Precautions



IMPORTANT

Read manual carefully before connecting or operating the Luminaire.

Do NOT store and/or operate your Luminaire under rainy or moist areas.

ALWAYS disconnect the Luminaire from electricity and allow to cool for 10 minutes when removing optical port , replacing lamp or fuse.

Keep flammable materials at least 100mm (4 in) from Luminaire.

Do NOT block fan or exhaust vents. Avoid dusty and non-ventilated areas.

Provide a minimum clearance of 300mm (12 in). Avoid installing multiple luminaires in position that place air exhaust & air intake vents close each other.

Do NOT operate Luminaire with lamp, fiber cable, filters and any other parts removed.

An unshielded lamp emits harmful UV radiation that can cause burns and eye damage.

Do not operate the Luminaire if the ambient temperature exceeds 40°C.

Ensure that the Luminaire is properly grounded before switching power.

Refer service operations not described in this manual to a qualified technician.



Luminaire

75w Halogen Fiber Optic Luminaire™ (dry location) for *end-lit* and *side-lit* application. Each luminaire comes with an optical port and Fiber Optic lamp.

Application

The 75W luminaire can be used in any indoor application for safe and brilliant illumination. Some applications would include museum showcase & display lights, linear light markers, fountains, spot lighting, starry lights in ceiling, floor & water features, step lights, glass block illumination, etc. For outdoor applications OD1 Hood is required.

Enclosure Steel & aluminium with epoxy powder coating.

Dimensions 127mm Ht X 245mm L X 170mm W

Weight 3.5 kgs

Power Consumption 90watts (220V~60Hz / 240V~50Hz)

Fuse 1AT / 250V

Safety Features Thermal cut-out switch and fuse

Lamp 75watts Tungsten Halogen with Optic Reflector
 Color Temperature : 3100K
 (optional 4200K beam with dichroic Color Corrector)
 Operating life : 4,000 hours average
 Output at 13mm aperture : 500 lm *
 * excluding filter and cable loss

Ventilation forced 23 cu. ft/min air cooling

Color disc motor 1.0 r.p.m. (60 sec. per round)

Operating Temperature -10°C to 40°C

Colors : A choice of one or 5 dichroic color disc (borofloat)
 WarmWhite 3100K, Bikini Yellow, Red Rose, Brilliant Orange, Horizon Blue,
 Midnight Blue, Aquamarine, Forest Green, Purple, Deep Pink,
 and White 4200K.

Troubleshooting



Problem	Probable cause(s)	Suggested solution
No light and fan does not function	No power supply	Check connections
	Blown fuse	Replace fuse (1AT / 250V)
Fan works but there is no light	Lamp burned out	Replace with new lamp
	Luminaire overheating	Allow to cool Check clearance Improve air flow
Light intensity dims over a period of time	Poor fiber termination	Terminate fiber head neatly (Clear dry fuse)
	Coupler not correctly fitted to cable gland	Adjust until fitted correctly
	Lamp life expiring	Replace with new lamp

If the suggested solutions does not solve the problem, immediately disconnect power mains and contact your installer for service.

Limited Warranty

Warranty only applies to the original purchaser of our products, for a period of **24 MONTHS** to be free from defects in material and/or workmanship, under normal usage and conditions as described in this manual. The lamp is **EXCLUDED** from this warranty.

In the event of defect during warranty, the manufacturer would inspect, repair and/or replace parts but not for shipping or delivery.

This warranty does NOT cover under the following conditions

- any improper or unspecified of installation method, modifications on Luminaire or fibers.
- storage or use under extreme conditions such excessive humidity and temperatures, unstable or unspecified electrical input, etc.
- submerged in aquatic or chemical environment.
- Excessive force such as stretching, pulling, sharp bending, twisting or kinking which would affect light transmission of fibers.
- any damage resulting from shipment or delivery of product(s).

Setup



Power Source

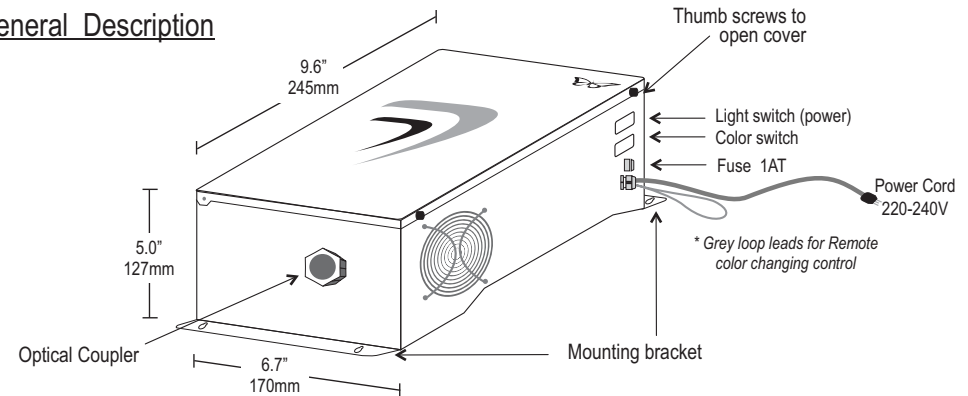
The Fiber Optic Luminaire™ is delivered with a plug on power cord.

Following are manufacturer's instructions :

- connect BROWN wire to the LIVE pin
- connect BLUE wire to the NEUTRAL pin.
- connect YELLOW/GREEN wire to the Ground (earth) pin.

* Grey loop leads for remote Color Changing Control

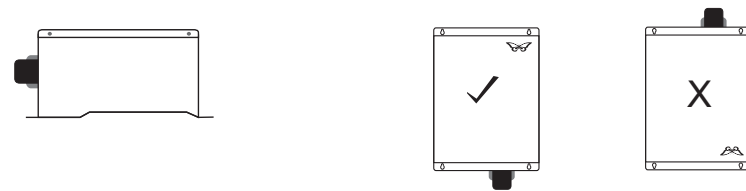
General Description



Mounting the Luminaire

For **horizontal** installation

For **vertical** installation, ensure optical port is pointing downwards. **NEVER** install Luminaire upwards.



In both mounting cases always

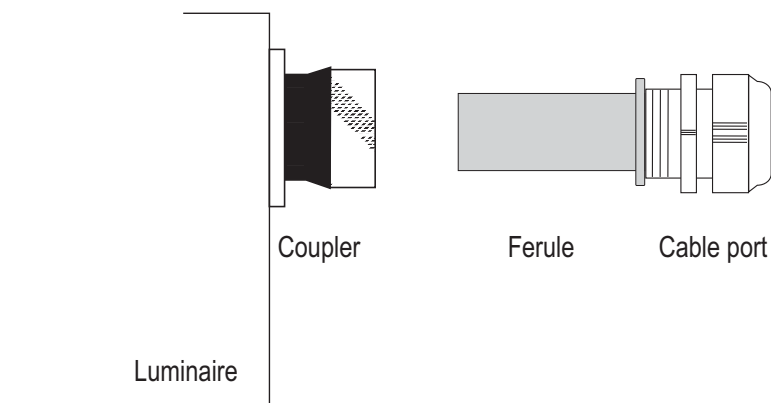
- allow access for lamp replacement and cleaning maintenance.
- adequate air circulation
- no flammable material nearby
- minimum clearance of 300mm. For multiple luminaires, a clearance of 600mm (24 in) between luminaires is necessary.
- allow access for connecting fiber optic cable to optical port.
- install in dry locations only.



Preparing the Fiber Optic Cable

Basic tips :

- 1) Handle the cables with care to avoid scratching.
- 2) Always install with as few bends as possible and do not exceed the minimum bend radius.
- 3) Always allow extra lengths of fiber cable at termination point to light source for maintenance.
- 4) Cap all exposed fiber ends for side-lit usage to increase intensity of light drive.
- 5) Seal ends that will submerge in water during installation.
- 6) All fibers cables immersed in water must be properly sealed.
- 7) All fibers must be terminated neatly at end of ferule.
- 8) When connecting optical port to coupler, ensure ferule is tightly fitted and insert inside coupler, turn coupler correctly until tight to lock port. Adjust maximum light transmission by turning coupler.



Optical Port Load Chart

Fiber dia.	ferule 10 mm	ferule 13 mm	ferule 16 mm	ferule 19 mm	ferule 23 mm	ferule 26 mm	ferule 29 mm
0.75mm	120	170	340	500	750	950	1,200
1.0mm	79	114	198	270	418	578	618
1.5mm	32	54	90	130	188	238	306
2.0mm	16	25	45	66	102	142	167
3.0mm	7	10	19	28	40	59	70
SC 7mm	1	1	2	4	7	8	9**
SC 9mm	1	1	1	2	4	5	6**
reference	T10	T13	T16	T19	T23	T26	T29

M a i n t e n a n c e



Replacing lamp

DO NOT attempt to replace lamp when hot.

Allow the Luminaire to cool for 10 minutes then follow the steps below.

- 1) Disconnect completely the power cord.
- 2) Remove thumb screws and lift open Luminaire cover.
- 3) Place finger under the reflector and carefully lift up lamp.
- 4) Disconnect lamp plug carefully.
- 5) Replace with new lamp, hold the reflector and gently slide down in to lamp holder until fit. Avoid touching lamp glass wall, contamination reduces lamp's lifetime. Replace only specified lamp.
- 6) Always close luminaire after maintenance.

Replacing fuse

Allow the Luminaire to cool for 5 minutes then follow the steps below.

- 1) Disconnect completely the power cord.
- 2) Take out existing fuse and replace (fuse 1AT / 250V)

Cleaning

The Luminaire is designed for easy maintenance and require only periodic inspections and general cleaning to assure a trouble free operation.

Follow the maintenance guide below.

- 1) **Glass inspection** : Use clean cloth to gently wipe off any dust and dirt build up on filters (UV~IR) in front of lamp and dichroic color glass disc.
- 2) **Optic Head Inspection** : It is important to make sure this end of optical fiber is clean. Any dirt or other foreign objects on this fiber head may affect light transmission, heat can build up and potentially damage the optic.
- 3) **Air Flow** : The luminaire is air cooled and requires proper air flow, avoid any obstructions.