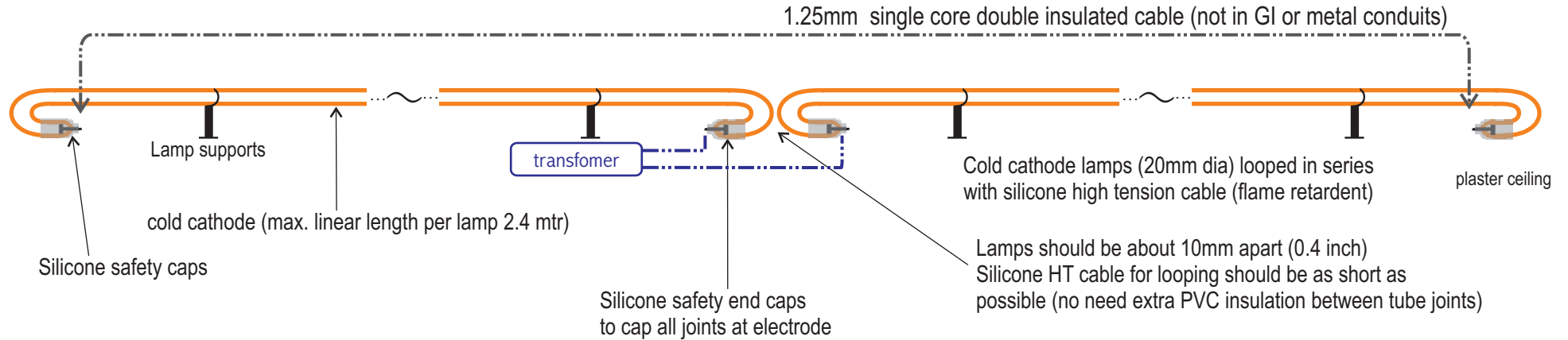


Cove Detail (for ELECTRONIC transformers) indoor

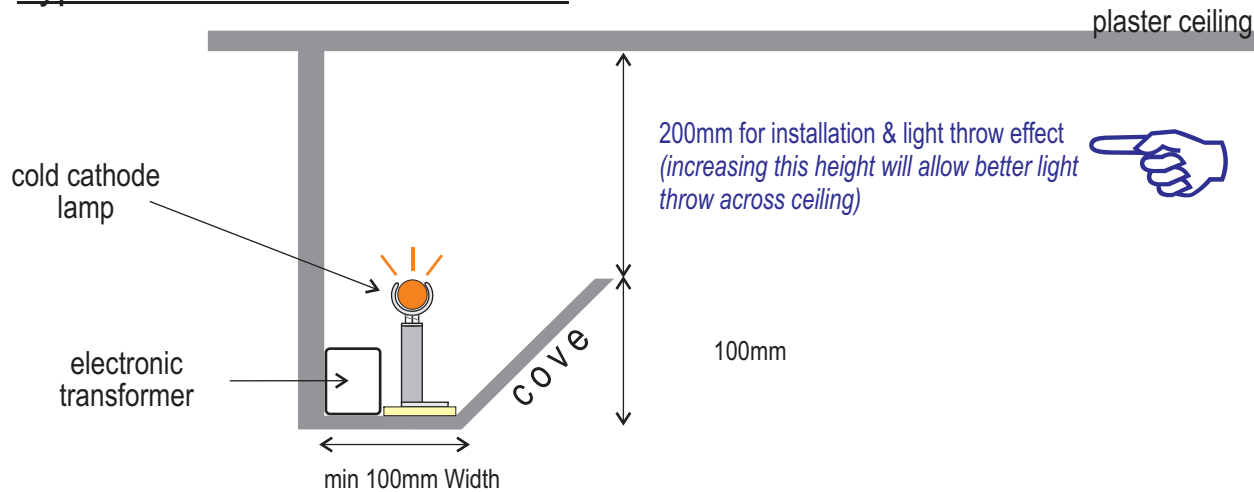
Fiber Optic Luminaire
Masonlite Cold cathode

schematic Layout



cross section view

Typical Cove indirect illumination



Incoming power feed must be 220V - 250V (0.5Amp) for each electronic transformer. Switching MUST be by NON-dimming switching module.

Always handle the lamps with great care. The "U" bend areas are particularly VERY sensitive.

Secure silicone cable connection with silicone end caps

Keep high tension cables from transformer as short as possible.

Keep electronic transformers and cold cathode lamps 10mm away from metal or other conductive materials.

Always maintain a gap of ½ inch (12mm) between lamps.

** Electronic transformers installed in the cove close proximity to c-cathode lamps. Ceiling access NOT required.

TiME Luminaries sdn bhd

Tel : +603-9282 9096 Fax : +603-9282 5875

<http://www.neon-lighting.com> <http://www.fiberlight.com.my> email : sales@neon-lighting.com

* designs dimensions are in proportion to scale

© copyright reserved TiME Luminaries sdn bhd