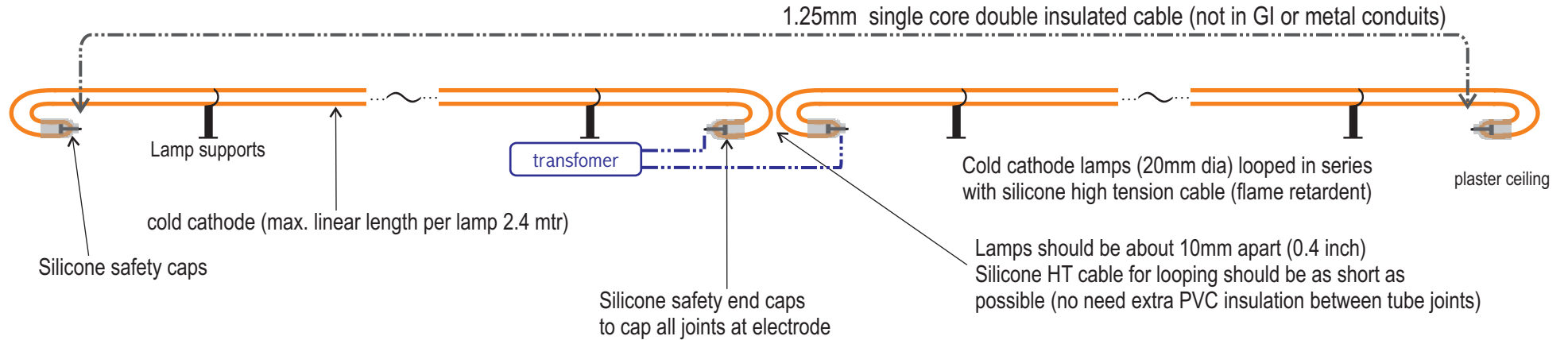


Cove Detail (for standard transformers) indoor

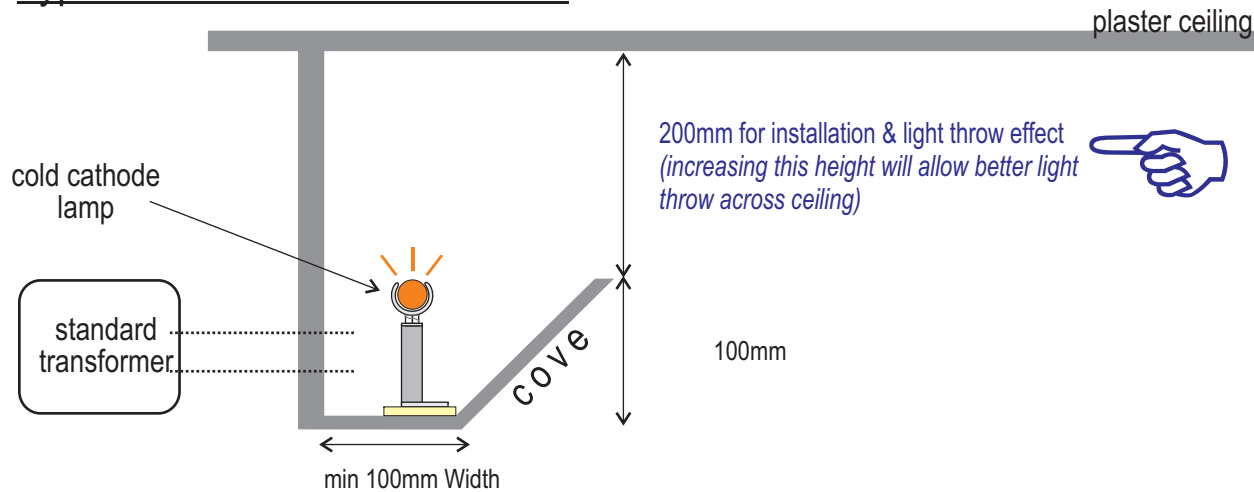
Fiber Optic Luminaire
Masonlite Cold cathode

schematic Layout



Typical Cove indirect illumination

cross section view



Incoming power feed must be 220V - 250V (3.5Amp) for each standard transformer. Switching MUST be by NON-dimming switching module.

Always handle the lamps with great care. The "U" bend areas are particularly VERY sensitive.

Secure silicone cable connection with silicone end caps

Keep high tension cables from transformer as short as possible.

Keep magnetic transformers and cold cathode lamps 10mm away from metal or other conductive materials.

Always maintain a gap of ½ inch (12mm) between lamps.

** Standard transformers installed in the ceiling access close proximity to c-cathode lamps. Ceiling access required.

TiME Luminaries sdn bhd

Tel : +603-9282 9096 Fax : +603-9282 5875

<http://www.neon-lighting.com> <http://www.fiberlight.com.my> email : sales@neon-lighting.com

* designs dimensions are in proportion to scale

© copyright reserved TiME Luminaries sdn bhd