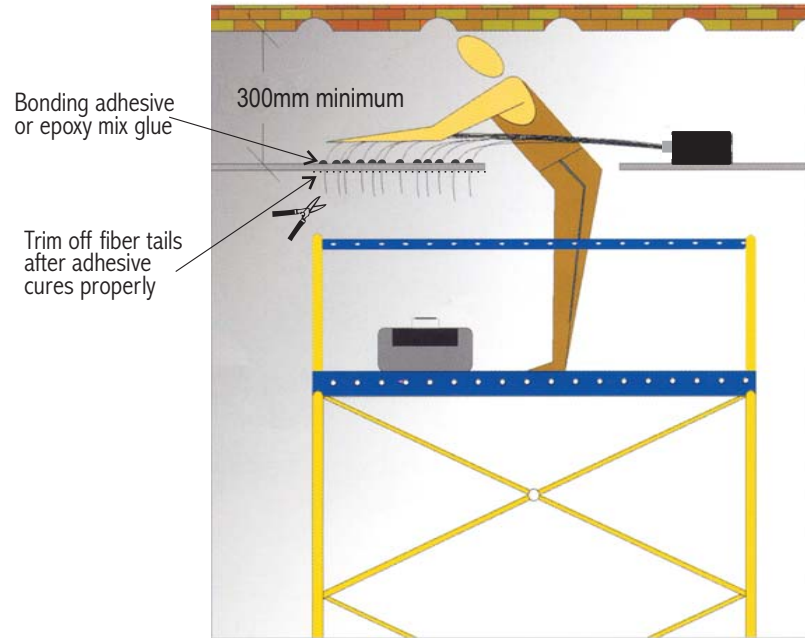


Power mains requirement - 1 amps for 50W, 75W or 100W Halogen Luminaires,  
- 3 amps for 70W & 150W HID Luminaires



Always handle the fiber optic cables with care, avoid kinking and sharp bends.

Before starting installation works, ensure that the ceiling is fully painted, downlights opening, projector bracket, CCTV cable or any other equipments wiring works are already completed. You need at least 300mm (1ft) gap between cement slab to plaster ceiling for installation works.

Plan a manhole location to house the Luminaire, (arrange the power point feed as well). For best effect always install Optic Luminaire close to the center spread of intended starfield ceiling. The fiber optic cable have been factory cut and dry fused for your easy installation works.

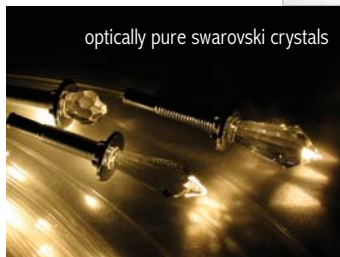
Use chalk or remove-able sticker markers to mark your starfield, always start with 2mm/1.5mm diameter fibers, then 1mm and finally 0.75mm. Remember its suppose to be a randomly spread & sometimes clustered the fiber points. Plan strategically the swarovski crystal points to get best effect. Icicle crystal gives a much wider sparkle.

For 1mm and 0.75mm dia fiber points use 1.2mm drill bit and 11mm drill bit for swarovski crystals. 2mm dia fibers will be for swarovski crystals. Always drill upwards towards ceiling. f your ceiling is inaccessible from above make small temporary openings enough for installer to view inside and insert cable from above ceiling thru the hole. Tie a knot on the cable to avoid being pull back inside ceiling.

Once all the fiber cables are in place. Use multi-purpose construction adhesive\* (preferably silicone sealant) and glue them above ceiling. You do not need adhesive to hold the crystals. The crystals should only be installed when all ceiling painting works and touch up has been done.

Remember the painter should NOT roll-over the fiber point, this can cause the cable to snap off. Only use paint brush at fiber point areas to avoid damage.. The ends of 2mm cables should be covered by paper tape (to avoid paint over)

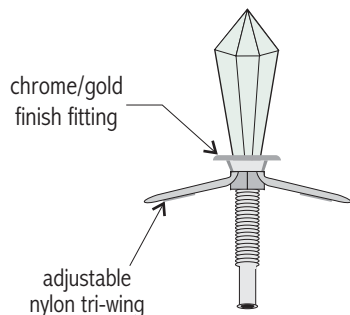
\* (Alternatively to glue on a clear surface use clear epoxy mix glue)



optically pure swarovski crystals

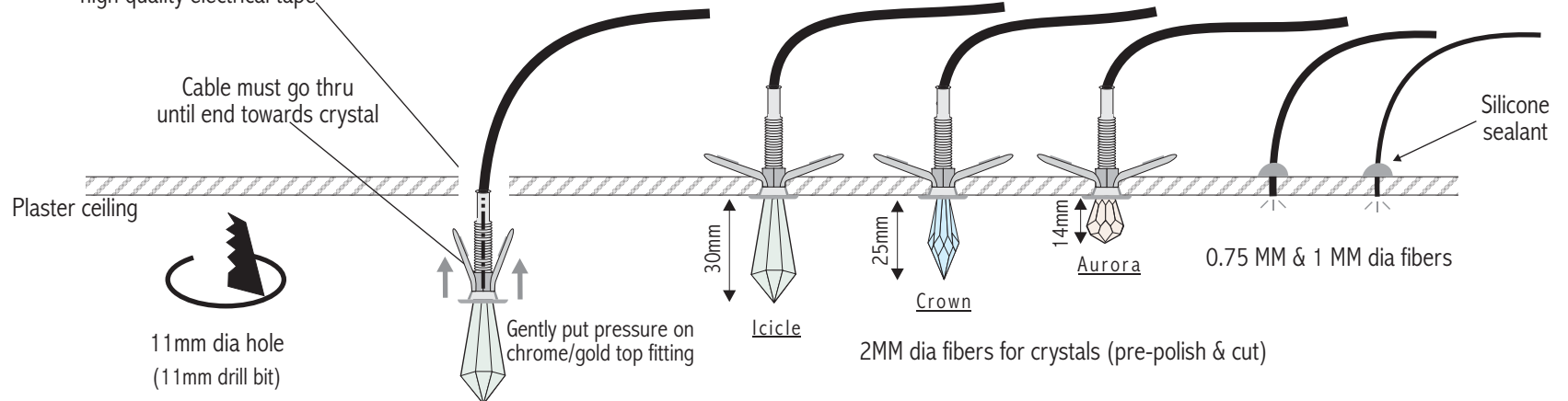
Insert pre-polished fiber end to rear of fitting and secure with high quality electrical tape

When the ceiling is completed with touch up paint works. Trim off 0.75m & 1.0mm bare fiber tails neatly to ceiling level. (Do not trim off the 2mm cables.) For crystals installation, insert the pre-polished 2mm cable thru rear of crystal fitting carefully until end-fit, use a high quality electrical tape to tightly secure fiber to fitting. **HANDLE WITH CARE THE CRYSTALS, DO NOT HOLD, FORCE OR PUT PRESSURE** on crystal. Fold the nylon tri-wing and gently hold the fitting top and push upwards **WITHOUT** touching the crystals.



chrome/gold finish fitting

adjustable nylon tri-wing



11 mm dia hole (11mm drill bit)

Icicle

Crown

Aurora

0.75 MM & 1 MM dia fibers

2MM dia fibers for crystals (pre-polish & cut)