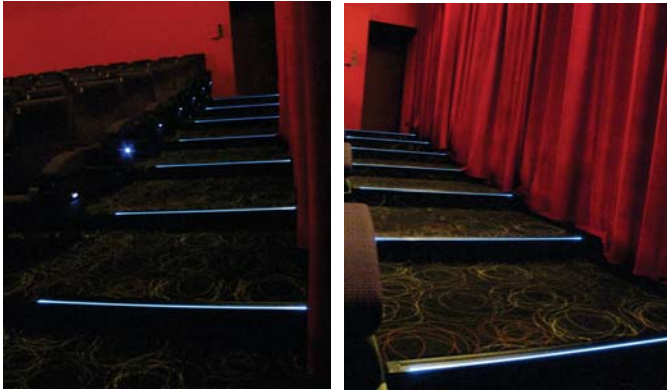


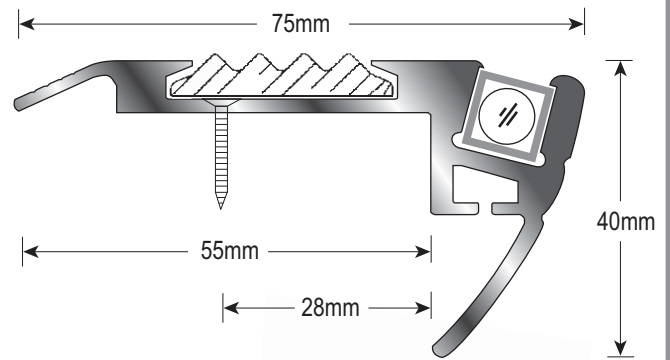
FiBER~LED aisle & step light

Fiber Optic Luminaire
Masonlite Cold cathode

Specification & Submission Sheet



Dimensions



Description : Fiber~LED for step & aisle lighting. Featuring ultra bright solid core fiber in slim elegant profile.

Application : Specifically designed to create an even clean illuminated line at steps of theater and auditorium environment. A system that provides functional and decorative step marking solutions to safely guide people through a darkened or dimly lit areas.

Construction : Aluminum with epoxy powder coating with nylon black housing for both ends.

Dimensions : 40mm Ht X 75mm Depth

Power consumption : 0.25watts per step

Power supply : 3.3V DC

Cable length : 250mm with separate twist wire nuts

Optical fiber : Ultra bright solid core fiber with teflon jacket

Viewing angle : approx. 160°

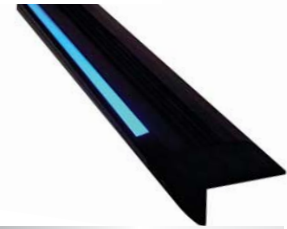
Standard lengths : 0.8m / 1.0m / 1.2m / 1.4m

Operating temperature : -10°C to 40°C

Colors : A choice of 7 LED colors.
White 4200K, WarmWhite 3000K, Yellow, Brilliant Orange, Ruby Red, Green and Brilliant Blue.

Mounting : Surface mount with concealed screws

Warranty : 24 months



Benefits

- ▶ Low voltage super bright LEDs which are energy efficient and has long Life - over 50,000 hours average
- ▶ Low power consumption
- ▶ No heat or UV emissions
- ▶ Uses ULTRA-bright solid core fiber that creates even and clean light distribution across step line
- ▶ Specifically designed aluminum profile with non-slip rubber strip and durable nylon end caps
- ▶ Centralized lamp source (luminaire) NOT required
- ▶ Power sources can be located remotely



Ordering Guide

Model	Color	power leads side	Length of row	Number of rows
FLS	4200K White 4200K	LF (power leads on left)	0.8m	Indicate number of rows per side
Fiber~LED step	3000K WarmWhite 3000K	RT (power leads on right)	1.0m	
	YW Yellow	Center	1.2m	
	BO Brilliant Orange		1.4m	
	RR Ruby Red			
	GR Green			
	BB Brilliant Blue			

order e.g. for standard Green step light 1.2m length and 16 rows of left theater hall with power leads on the left side.....FLS-GR-LF-1.2m-18

TiME Luminaries sdn bhd

Tel : +603-9282 9096 Fax : +603-9282 5875

<http://www.neon-lighting.com> <http://www.fiberlight.com.my> email : sales@neon-lighting.com

This catalogue cancels and replaces all previous catalogues of the same product ranges. TiME Luminaries Sdn Bhd reserves the right to make technical, formal or dimensional modification at any time, without prior notice obligation. © Copyright Reserved No images, articles and illustrations in part or whole are allowed to be reproduced or duplicated in any form without written permission from TiME Luminaries Sdn Bhd.