

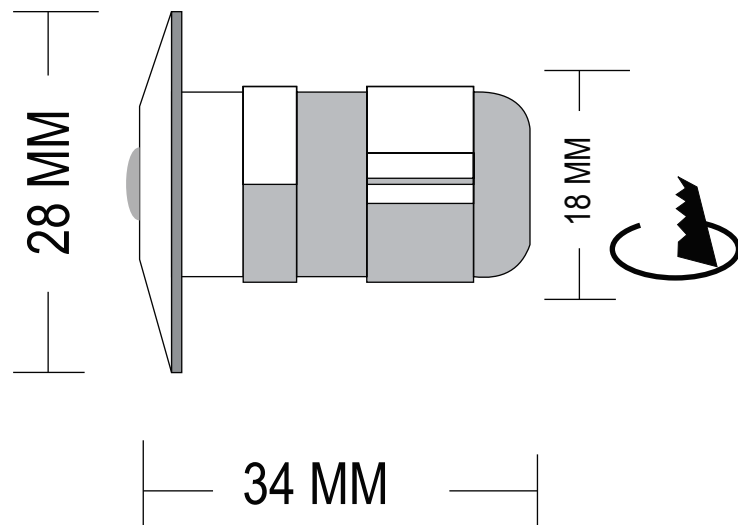
suitable for indoor and outdoor

specification



MINIATURE SPOT SS-EF6

Dimensions



Application

Swimming pools

Water features

Ponds

Fountains

Landscaping

dry, wet, submersible areas

Lens	Dome glass (clear)
Beam angle	45°
Material	Stainless Steel (AISI 316) with polyamide gland
Colors available	Natural finish
Flange size	28mm diameter
Mounting hole size	18mm diameter
Min. fiber size	2.0mm o/d
Max. fiber size	6.0mm o/d
weight	18grams