

# Surge Protector

## DATA SHEET

Surge voltage limiting device with protective fuses and LED function indicator.

The use of different feedings with respect to the other types of loading is recommended to avoid reliability problems of electric and electronic devices due to impulsive surge in voltage.

It is also recommended that the feeding lines of the electronic transformers be protected with the SURGE PROTECTOR module (one unit at the beginning of each feeding line), especially in the most important installations.






The SURGE PROTECTOR shall be installed parallel to the loading. To obtain a good performance it is IMPORTANT that the connection is grounded.

The SURGE PROTECTOR is supplied with a fuse. If with 230 volt feeding the LED remains switched off it means that the fuse has tripped and the device is no longer able to act as protection therefore it needs to be replaced.

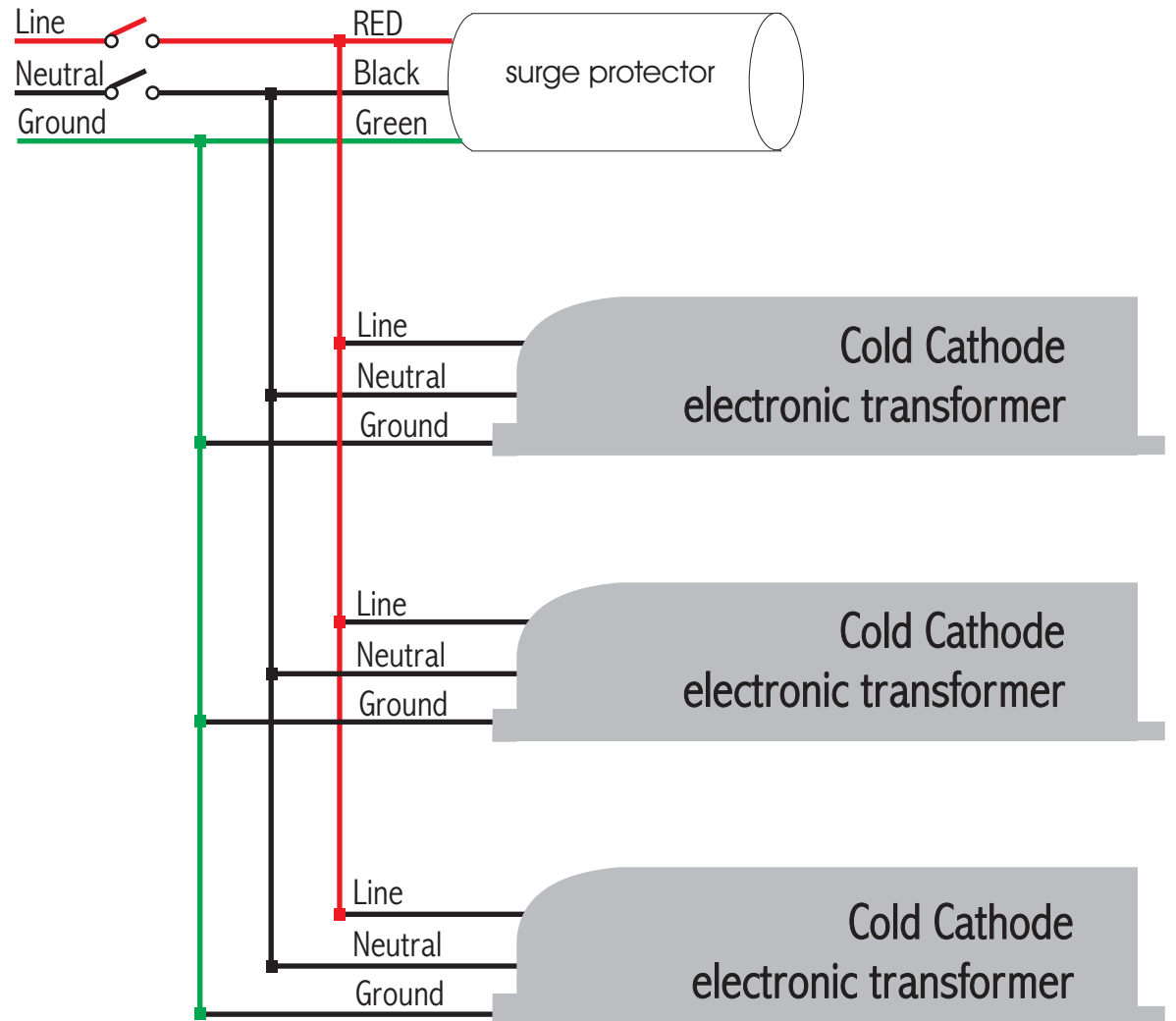
### Electric data :

Voltage : 230V ac. 50/60Hz  
 Current : Max 4.500 A  
 Tripping Voltage : 300 volt ac  
 Energy absorbed : 75 J

### legend

-  1.25mm double insulated copper cable (not supplied)
-  Looping between tubes (silicone cable)
-  20mm dia cold cathode lamps
-  Electronic transformers
-  Surge Protector

## Electrical Connection



**TIME Luminaries sdn bhd**

602365-H

#01-18, Jln Hilir 1, Tmn Angsana Hilir, 55100 Kuala Lumpur Malaysia T: +603-9282 9096 F: +603-9282 5875  
<http://www.fiberlight.com.my> <http://www.neon-lighting.com> [sales@neon-lighting.com](mailto:sales@neon-lighting.com)