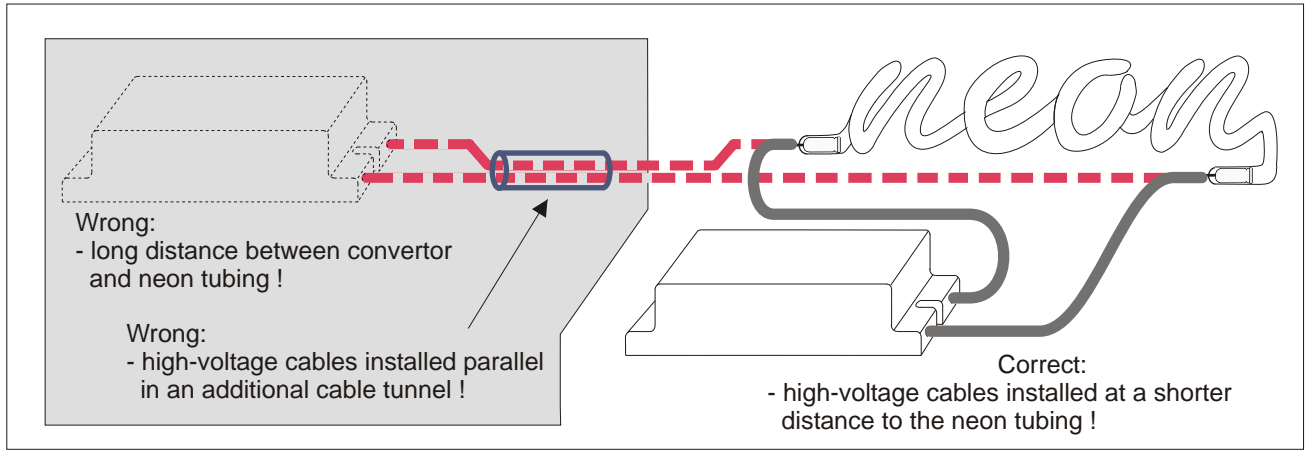
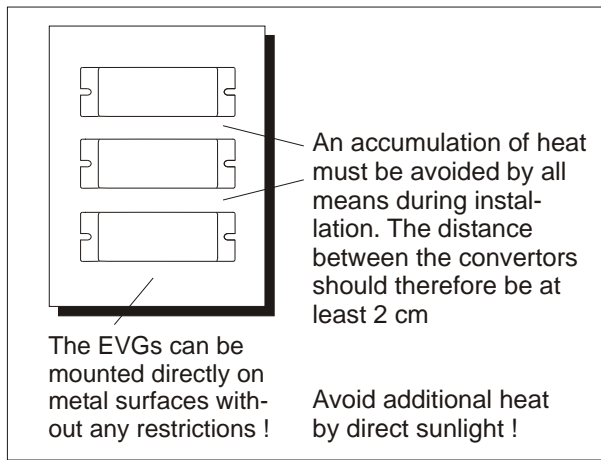


**Installation advice for electronic converter, part 1**

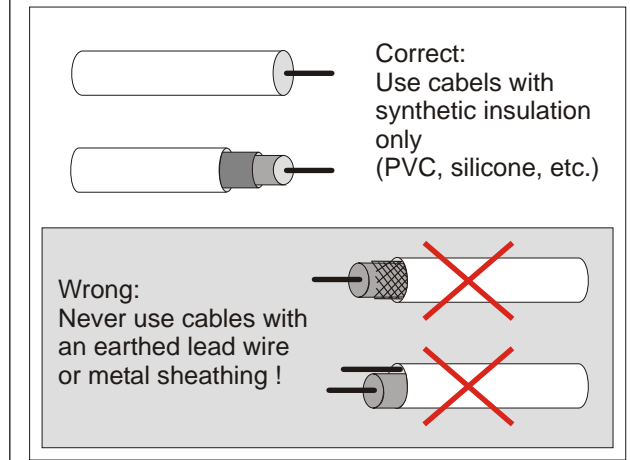
**Installation of the high-voltage cables**



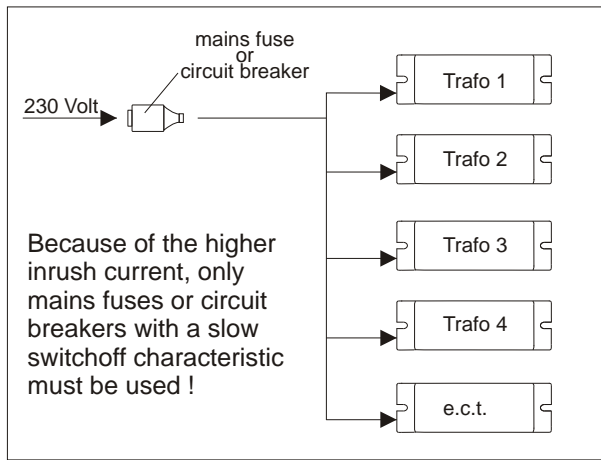
**Avoid accumulation of heat**



**High-voltage cable**



**Use slow fuses**



**Maintain clearance at high voltage**

